

X-10 Section 1 East Support Area

Name _____

Participant ID _____

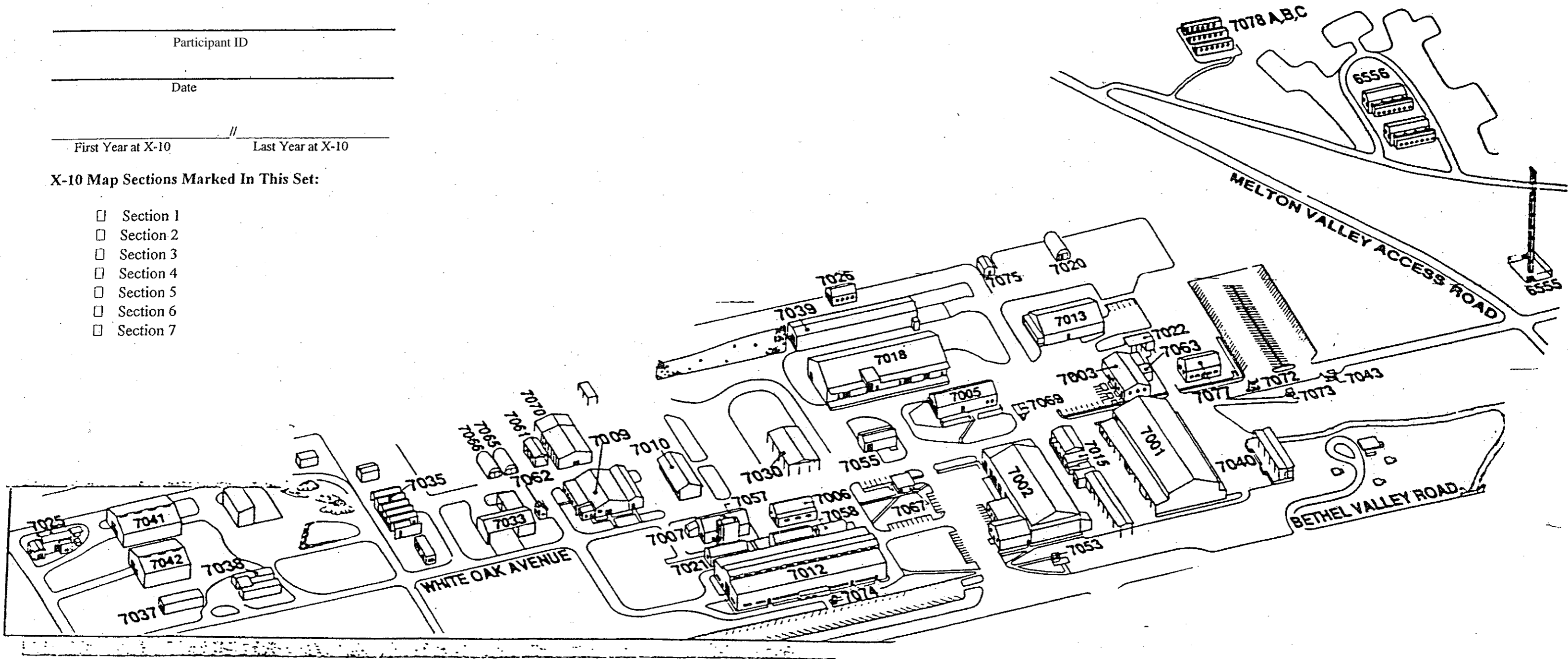
Date _____

First Year at X-10 _____

Last Year at X-10 _____

X-10 Map Sections Marked In This Set:

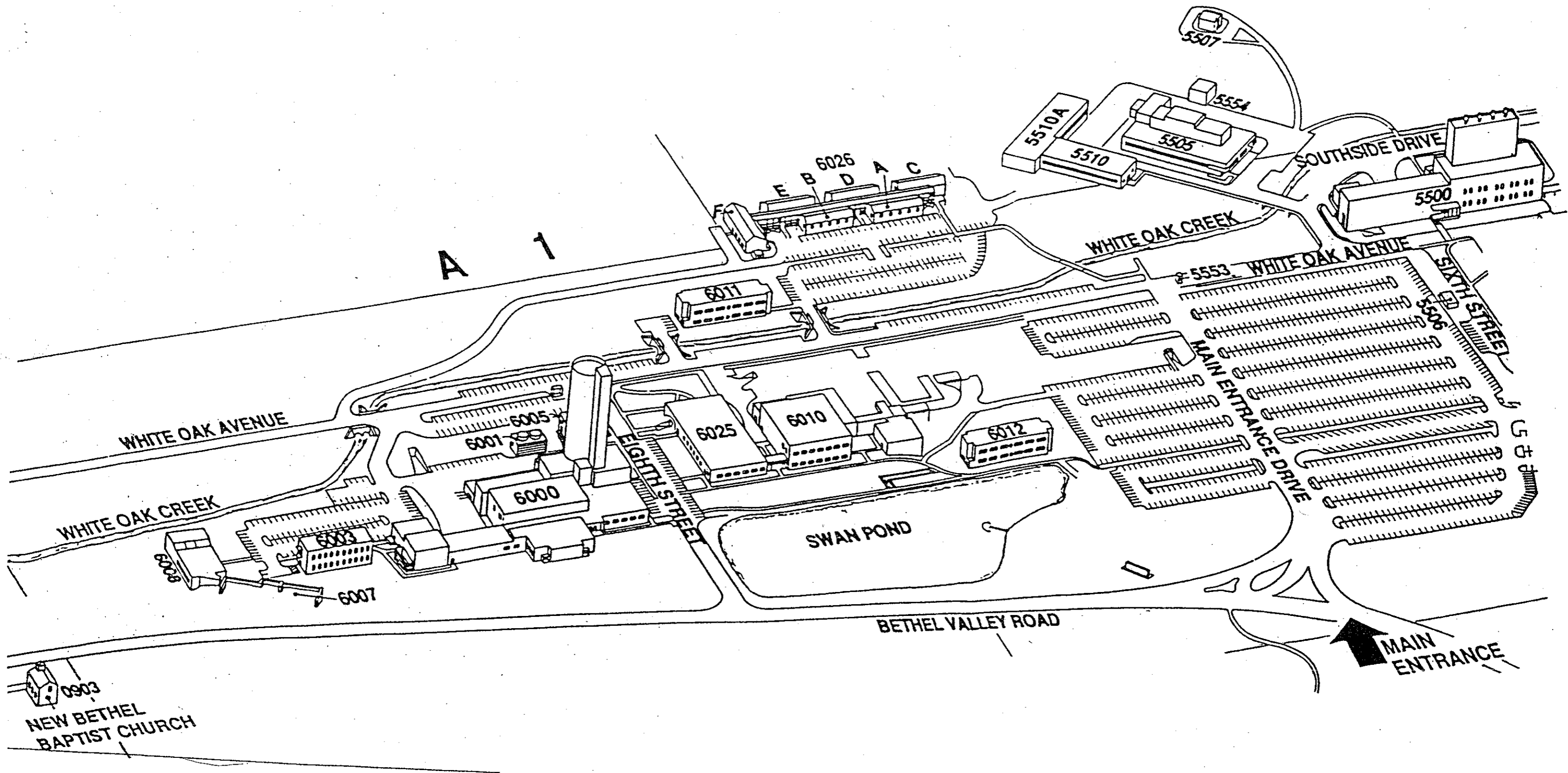
- Section 1
- Section 2
- Section 3
- Section 4
- Section 5
- Section 6
- Section 7



X-10 Section 2

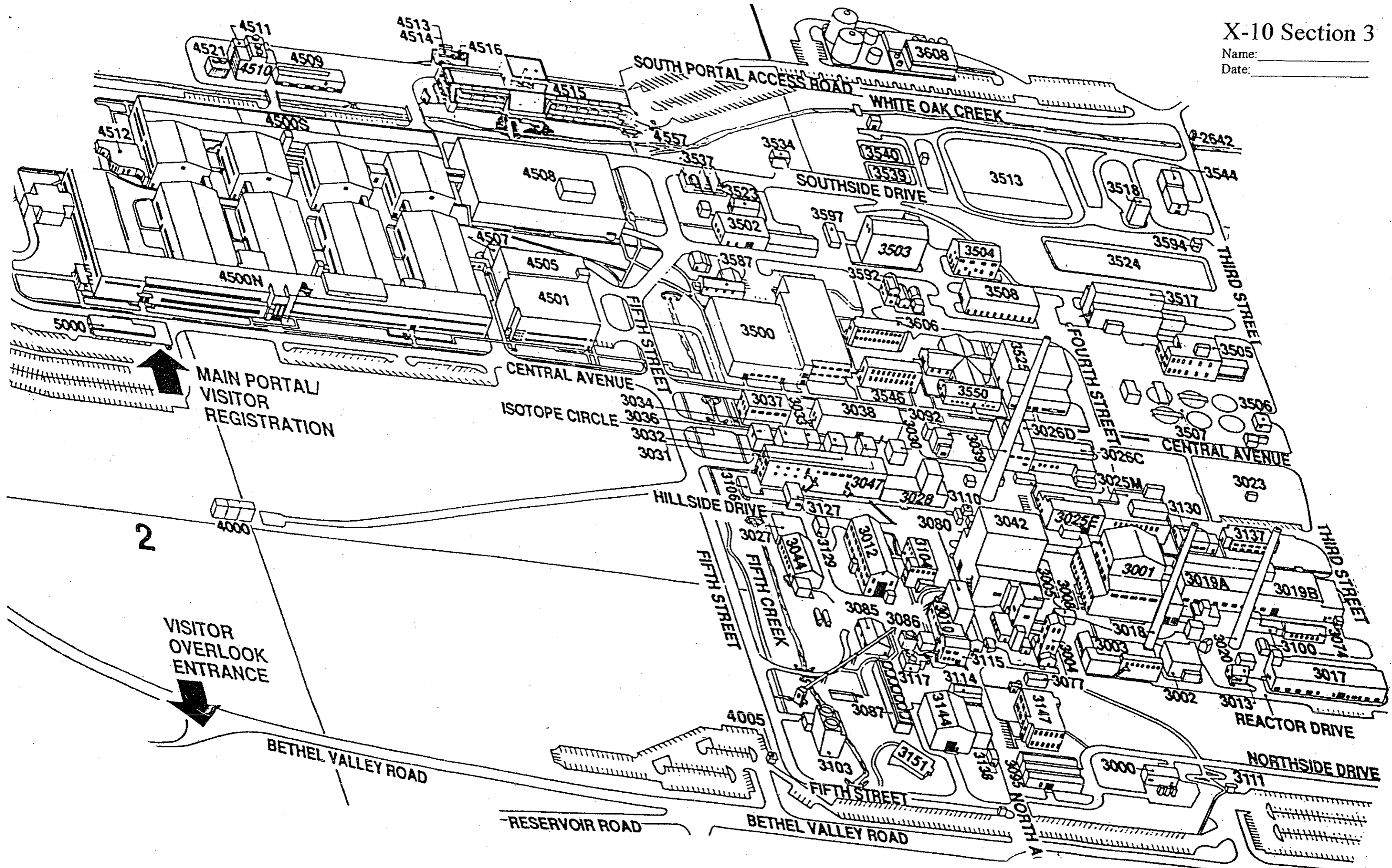
Name: _____

Date: _____



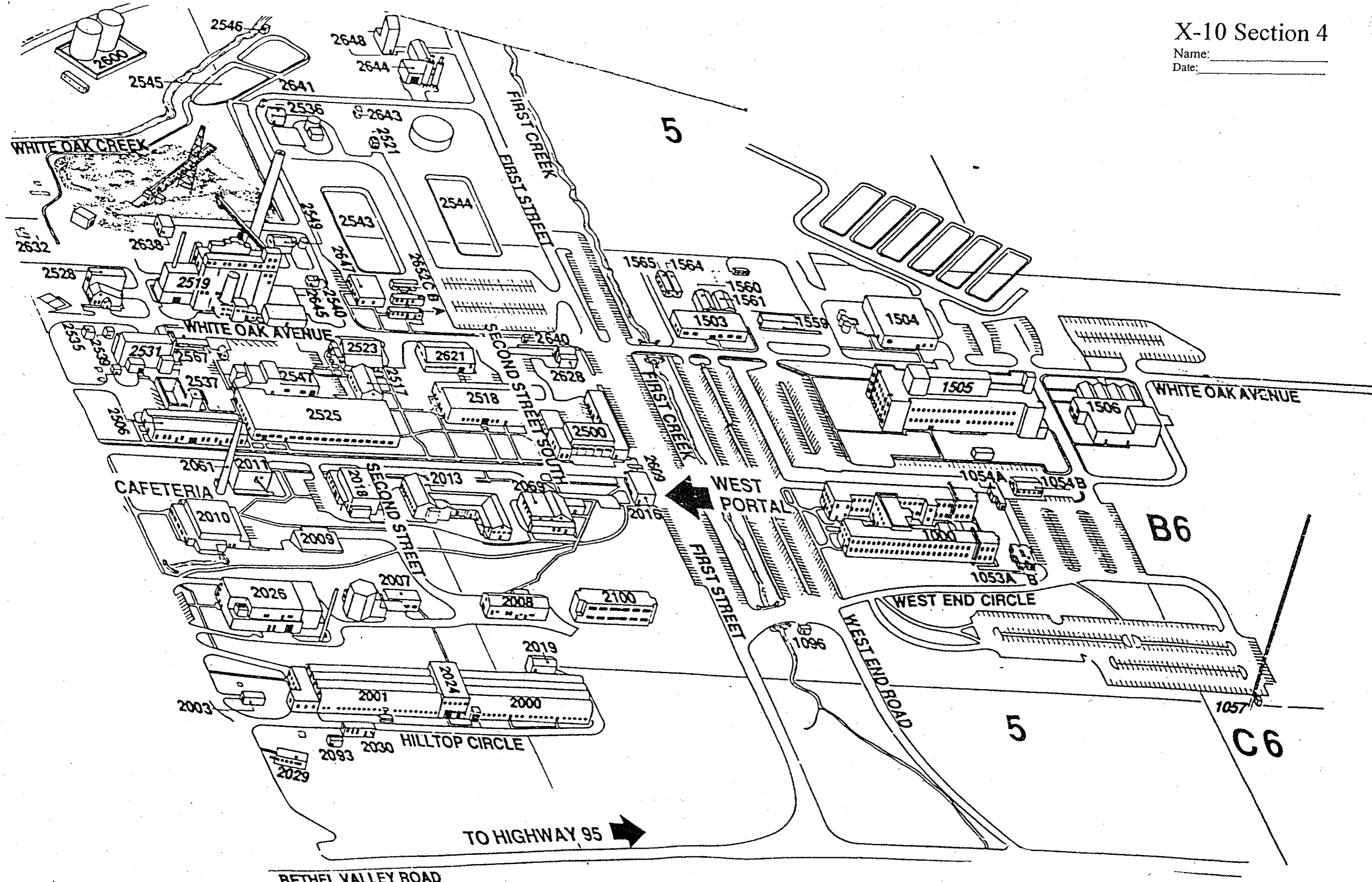
X-10 Section 3

Name: _____
Date: _____



X-10 Section 4

Name: _____
Date: _____



A B C D E

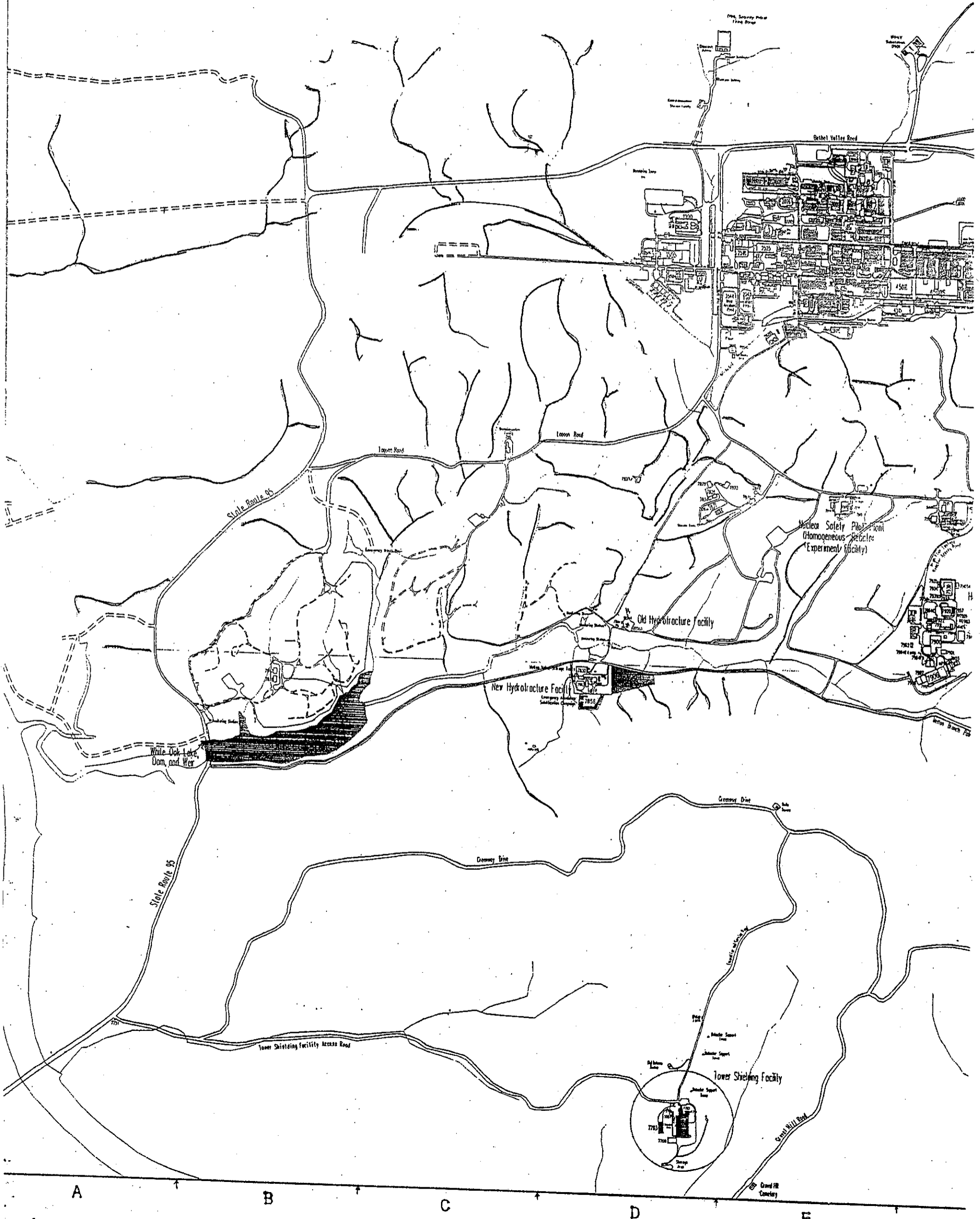
X-10 Section 5

Area Map

(See Sect. 7 for Remote Site Buildings)

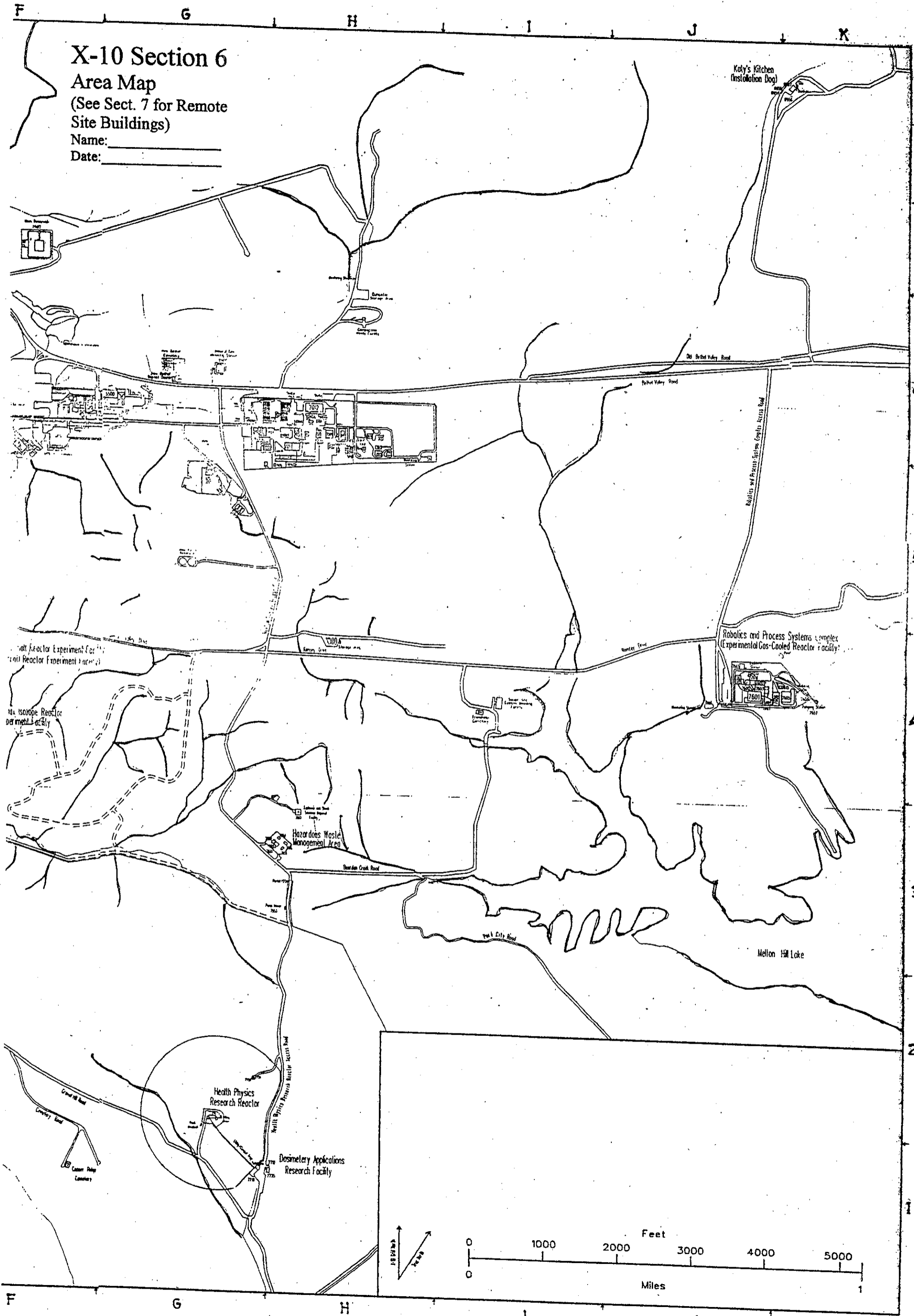
Name: _____

Date: _____



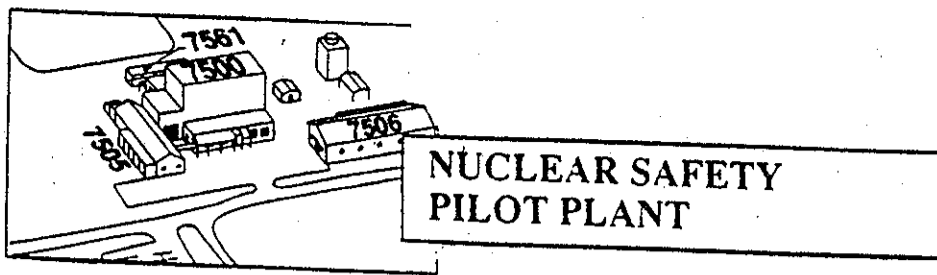
**X-10 Section 6
Area Map**
(See Sect. 7 for Remote
Site Buildings)

Name: _____
Date: _____

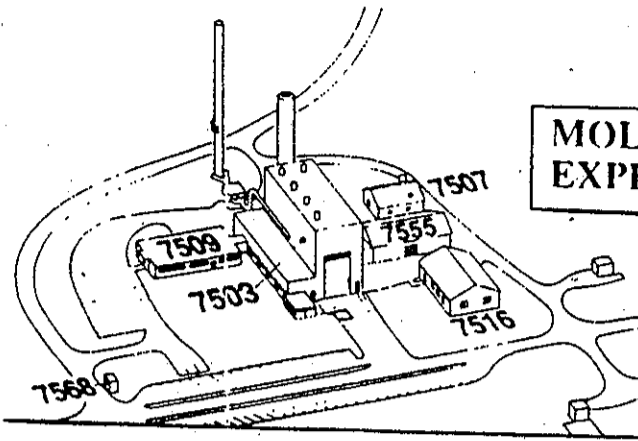


X-10 Section 7
Remote Site Bldgs.

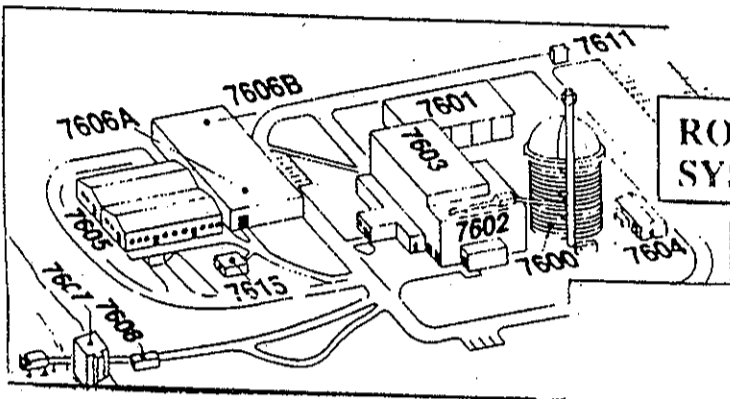
Name: _____
Date: _____



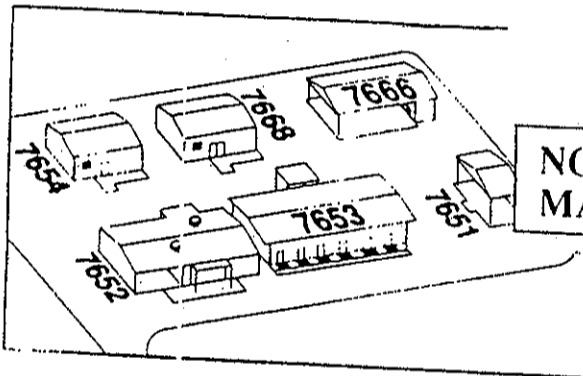
NUCLEAR SAFETY
PILOT PLANT



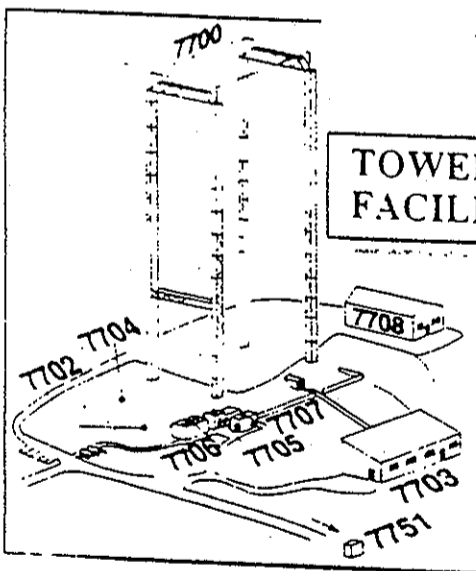
MOLTEN SALT REACTOR
EXPERIMENT FACILITY



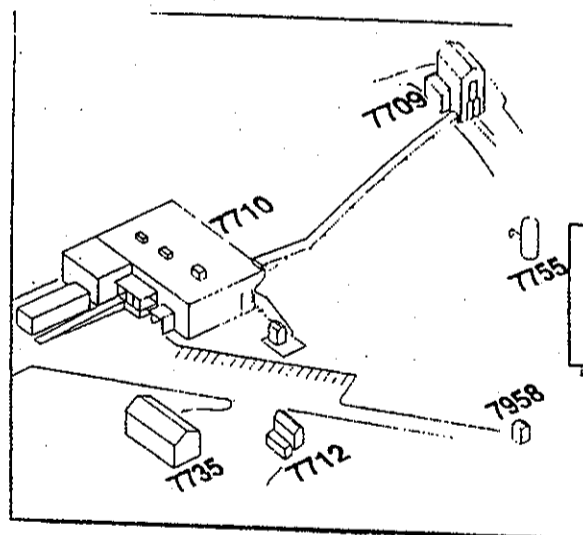
ROBOTICS AND PROCESS
SYSTEMS COMPLEX



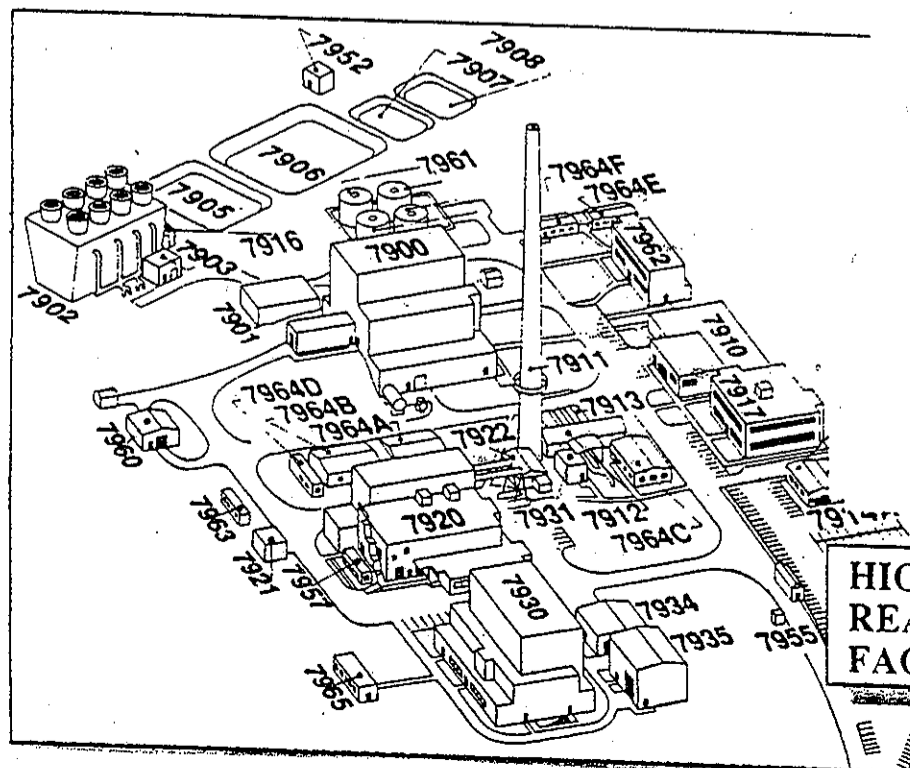
NON-RAD HAZARDOUS
MATERIALS FACILITY



TOWER SHIELDING
FACILITY



DOSIMETRY
APPLICATIONS
RESEARCH FACILITY



HIGH-FLUX ISOTOPE
REACTOR EXPERIMENT
FACILITY